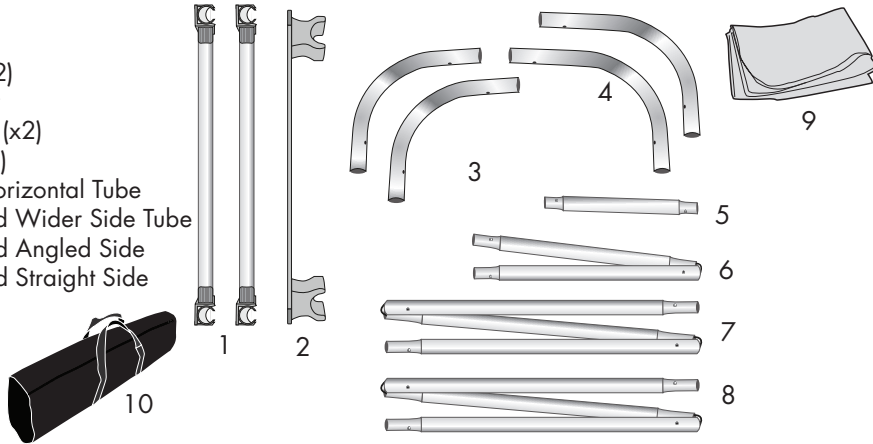


Eurofit Overlap*

Product Parts

- 1 - Top Connector (x2)
- 2 - Bottom Connector
- 3 - Narrower Corner (x2)
- 4 - Wider Corner (x2)
- 5 - Narrower Side Horizontal Tube
- 6 - 2pc Shock-Corded Wider Side Tube
- 7 - 3pc Shock-Corded Angled Side
- 8 - 3pc Shock-Corded Straight Side
- 9 - Graphic
- 10 - Case



*Not compatible with EuroFit Arc Display or Incline Wall Displays. Only use with 90" tall walls and base wall must be a minimum of 48" to use the Overlap.

Display Set-Up

Step 1

Place on a clean, flat surface. Ensure you have all the components listed above.

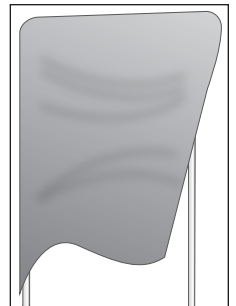
Step 2



Assemble all the poles (3 through 8) by connecting the corresponding numbers together while pressing the snap button as shown.

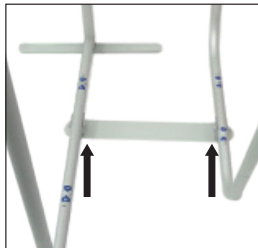
Step 3

Drape the Graphic (9) over the hardware until it reaches the bottom. Close zipper to secure to frame.



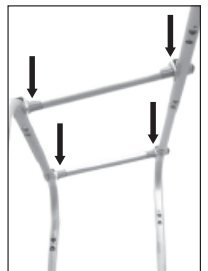
Step 4

Based upon orientation of your Graphic (9) center the Bottom Connector (2) to link to another display with same 1.25" tubing.



Step 5

Clamp the Top Connectors (1) to top of both displays. Must use both Top Connectors for stability.



Storage

Place all product parts into Carry Case and store in a cool dry location. Recommended for indoor use only.